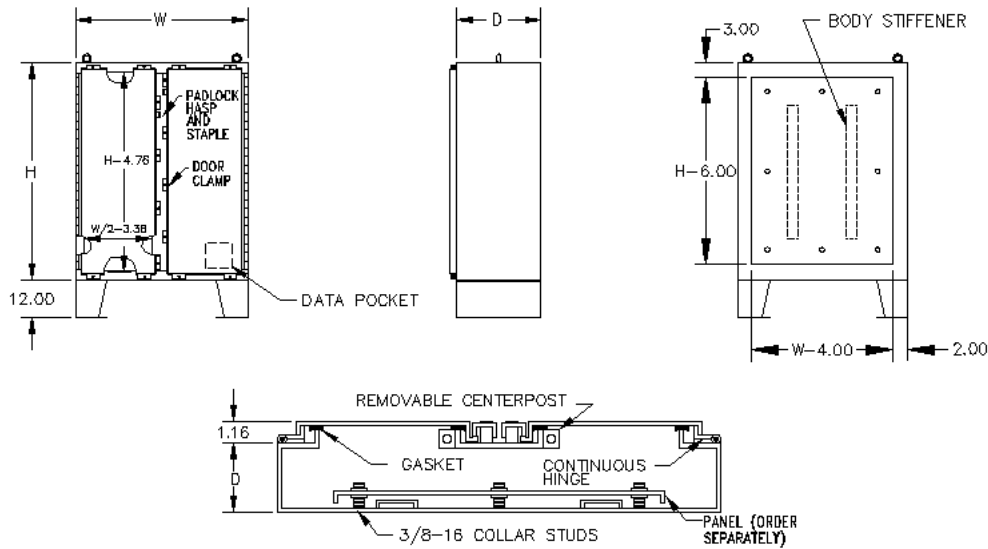


TYPE 4 PAINTED FLOOR MOUNTED DOUBLE DOOR ENCLOSURES



Enclosure Size HxWxD	Catalog Number	Weight	List Price	Panel	List Price
62x48x10	I-624810DT4	357	\$1,774.42	CI-6048DP	\$247.11
62x60x12	I-626012DT4	507	\$2,102.60	CI-6060DP	\$305.02
74x60x12	I-746012DT4	560	\$2,270.48	CI-7260DP	\$362.30
74x72x12	I-747212DT4	626	\$2,631.74	CI-7272DP	\$433.83

Construction: C & I Enclosures Type 4 Painted Floor Mounted Double Door Enclosures are fabricated in accordance with U.L. specifications from code gauge material. A rolled lip is provided around three sides of each door and along the top of the enclosure opening to exclude liquids and contaminants. An oil resistant gasket is attached to the doors. The enclosures are provided with continuous hinges and door clamps on three sides of each door to insure a water-tight seal. A hasp and staple are provided on each door for padlocking. These enclosures have a removable centerpost for easy access to the enclosure. Each enclosure is provided with lifting eyes for easy handling. All seams are continuously welded and ground smooth. Collar studs are provided for mounting panels.

Finish: C & I Enclosures Type 4 Painted Floor Mounted Double Door Enclosures are provided with an ANSI 61 gray polyester powdercoating inside and out over paint grip galvanized steel.

NOTES