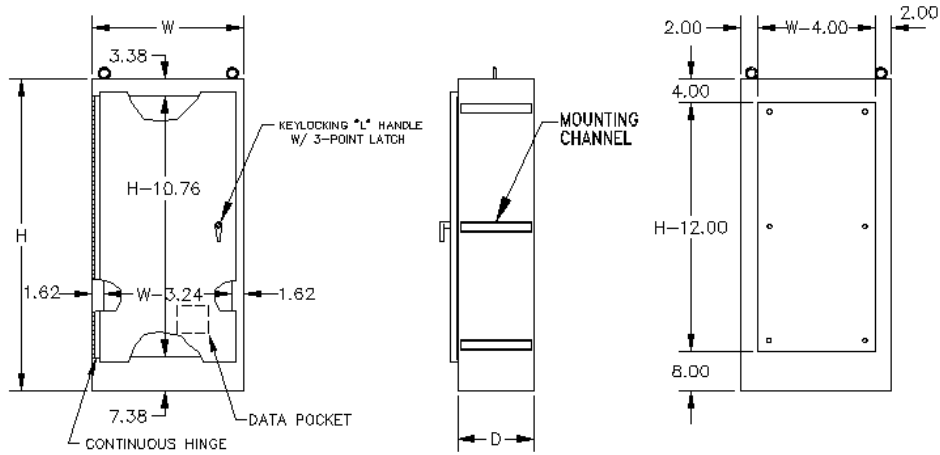


# TYPE 12 PAINTED FREE STANDING SINGLE DOOR ENCLOSURES



Enclosure Size HxWxD	Catalog Number	Weight	List Price	Panel	List Price
72x24x18	I-722418FST12	246	\$1,116.54	CI-7224FP	\$208.64
72x30x18	I-723018FST12	285	\$1,203.16	CI-7230FP	\$242.00
72x36x18	I-723618FST12	325	\$1,303.30	CI-7236FP	\$276.50
90x36x20	I-903620FST12	406	\$1,559.90	CI-9036FP	\$338.74
72x24x24	I-722424FST12	300	\$1,196.94	CI-7224FP	\$208.64
72x30x24	I-723024FST12	335	\$1,337.84	CI-7230FP	\$242.00
72x36x24	I-723624FST12	370	\$1,497.30	CI-7236FP	\$276.50
90x36x24	I-903624FST12	440	\$1,702.00	CI-9036FP	\$338.74
72x24x30	I-722430FST12	355	\$1,599.16	CI-7224FP	\$208.64
72x36x30	I-723630FST12	420	\$1,650.72	CI-7236FP	\$276.50
72x24x36	I-722436FST12	400	\$1,779.08	CI-7224FP	\$208.64
72x36x36	I-723636FST12	465	\$1,891.14	CI-7236FP	\$276.50
90x36x36	I-903636FST12	525	\$2,147.46	CI-9036FP	\$338.74

**Construction:** C & I Enclosures Type 12 Painted Free Standing Single Door Enclosures are fabricated in accordance with U.L. specifications from code gauge material. An oil resistant gasket is attached to the door. The enclosures are provided with a continuous hinge. A three point latch is provided which incorporates roller arms to hold the door securely closed. Each enclosure is provided with lifting eyes for easy handling. All seams are continuously welded and ground smooth. Collar studs or uni-strut are provided for mounting optional panels.

**Finish:** C & I Enclosures Type 12 Painted Free Standing Single Door Enclosures are provided with an ANSI 61 gray polyester powdercoating inside and out over paint grip galvanized steel.