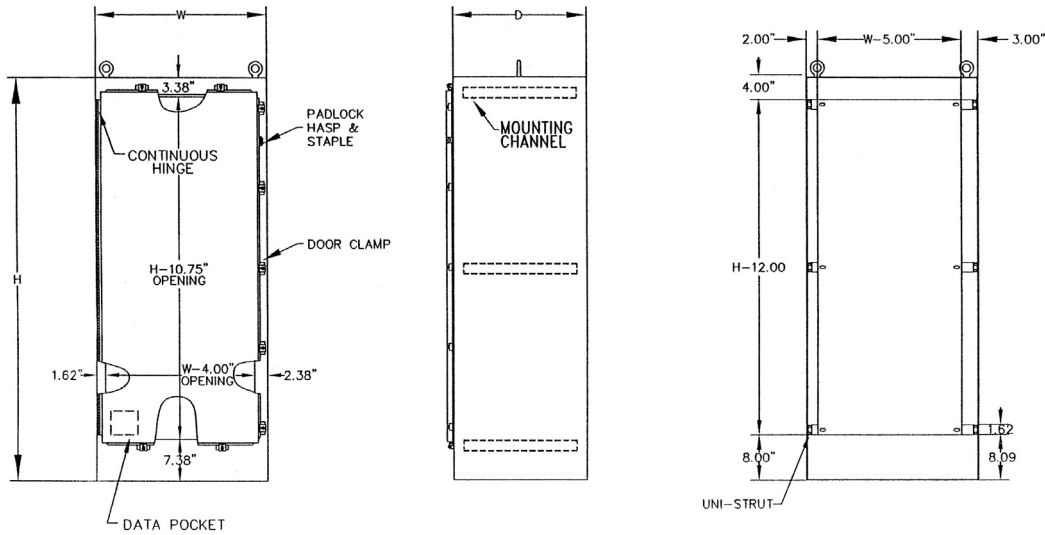


TYPE 4 PAINTED FREE STANDING SINGLE DOOR ENCLOSURES



Enclosure Size HxWxD	Catalog Number	Weight	List Price	Panel	List Price
72x25x18	I-722518FST4	258	\$1,406.00	CI-7224FP	\$208.64
72x31x24	I-723124FST4	347	\$1,698.50	CI-7230FP	\$242.00
72x37x24	I-723724FST4	383	\$1,868.48	CI-7236FP	\$276.50

Construction: C & I Enclosures Type 4 Painted Free Standing Single Door Enclosures are fabricated in accordance with U.L. specifications from code gauge material. A rolled lip is provided around three sides of each door and along the top of the enclosure opening to exclude liquids and contaminants. An oil resistant gasket is attached to the door. The enclosures are provided with a continuous hinge and door clamps on three sides to insure a water-tight seal. A hasp and staple are provided for padlocking. All seams are continuously welded and ground smooth. Collar studs or uni-strut are provided for mounting optional panels.

Finish: C & I Enclosures Type 4 Painted Free Standing Single Door Enclosures are provided with an ANSI 61 gray polyester powder coating inside and out over paint grip galvanized steel.

NOTES