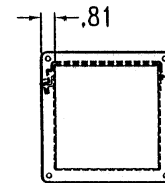
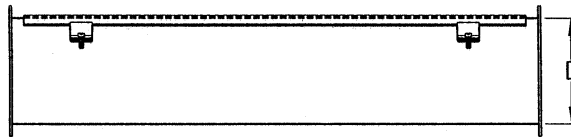
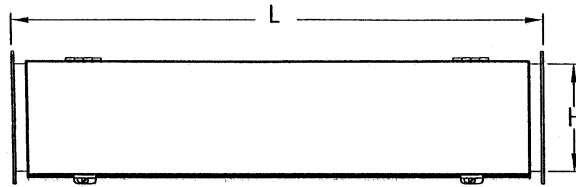


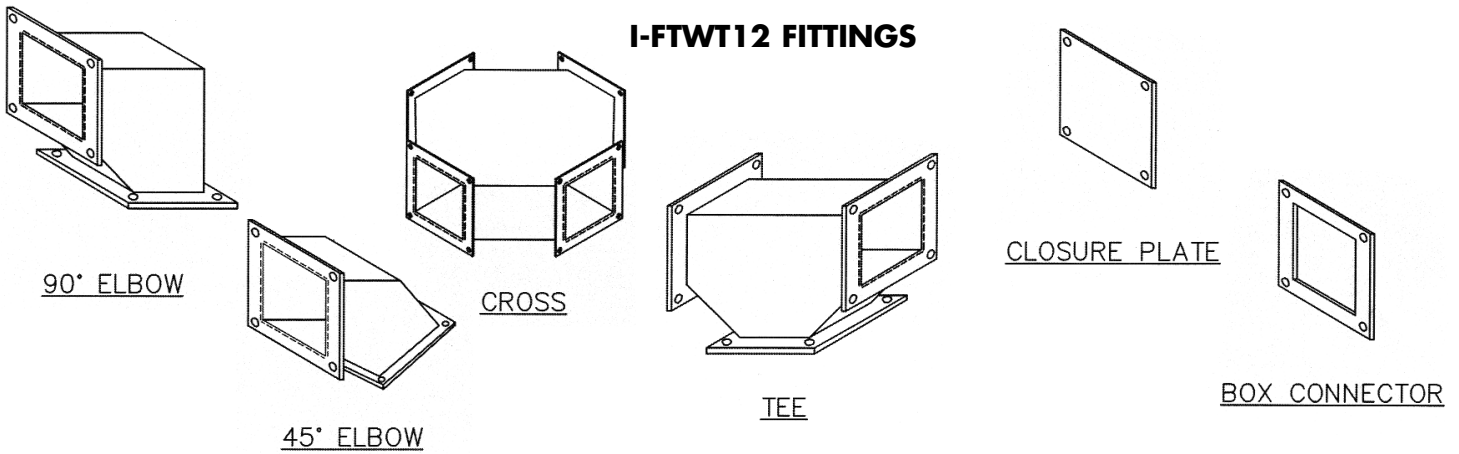
TYPE 12 FEED-THROUGH WIREWAY



Enclosure Size HxDxL	Catalog Number	Weight	List Price
4x4x12	I-1-44FTWT12	7	\$66.22
4x4x24	I-2-44FTWT12	12	\$83.00
4x4x36	I-3-44FTWT12	17	\$103.24
4x4x48	I-4-44FTWT12	21	\$120.20
4x4x60	I-5-44FTWT12	26	\$138.52
4x4x120	I-10-44FTWT12	55	\$227.74
Closure Plate	I-44-CPF	1	\$13.70
Tee	I-44-TF	6	\$90.22
Cross	I-44-CF	8	\$125.16
90° - Elbow	I-44-90LF	5	\$72.50
45° - Elbow	I-44-45LF	3	\$72.50
Box Connector	I-44-BCF	1	\$17.08
Nipple - 1"	I-44-N1F	2	\$49.00
Nipple - 2"	I-44-N2F	2	\$52.62
Nipple - 3"	I-44-N3F	2	\$54.24
Cut Off Fitting - 12"	I-44-COF	6	\$54.02
Drop Hanger	I-44DHF	2	\$15.74
Bracket Hanger	I-44BHF	1	\$10.20
6x6x12	I-1-66FTWT12	10	\$84.02
6x6x24	I-2-66FTWT12	18	\$110.72
6x6x36	I-3-66FTWT12	24	\$144.22
6x6x48	I-4-66FTWT12	32	\$172.76
6x6x60	I-5-66FTWT12	40	\$197.74
6x6x120	I-10-66FTWT12	76	\$337.90
Closure Plate	I-66-CPF	3	\$16.00
Tee	I-66-TF	10	\$122.50
Cross	I-66-CF	13	\$163.34
90° - Elbow	I-66-90LF	8	\$89.36
45° - Elbow	I-66-45LF	6	\$89.36
Box Connector	I-66-BCF	1	\$22.56
Nipple - 1"	I-66-N1F	3	\$62.00
Nipple - 2"	I-66-N2F	3	\$63.16

TYPE 12 FEED-THROUGH WIREWAY

I-FTWT12 FITTINGS



Enclosure Size HxWxD	Catalog Number	Weight	List Price
Nipple - 3"	I-66-N3F	4	\$67.50
Cut Off Fitting - 12"	I-66-COF	8	\$68.00
Drop Hanger	I-66DHF	4	\$20.42
Bracket Hanger	I-66BHF	3	\$14.56
8x8x12	I-1-88FTWT12	12	\$130.56
8x8x24	I-2-88FTWT12	21	\$171.88
8x8x36	I-3-88FTWT12	32	\$210.24
8x8x48	I-4-88FTWT12	42	\$247.18
8x8x60	I-5-88FTWT12	51	\$290.00
8x8x120	I-10-88FTWT12	99	\$486.50
Closure Plate	I-88-CPF	4	\$23.18
Tee	I-88-TF	15	\$185.94
Cross	I-88-CF	18	\$231.36
90° - Elbow	I-88-90LF	12	\$145.74
45° - Elbow	I-88-45LF	9	\$145.74
Box Connector	I-88-BCF	2	\$27.96
Nipple - 1"	I-88-N1F	4	\$85.76
Nipple - 2"	I-88-N2F	4	\$97.04
Nipple - 3"	I-88-N3F	5	\$103.36
Cut Off Fitting - 12"	I-88-COF	11	\$105.90
Drop Hanger	I-88DHF	6	\$45.64
Bracket Hanger	I-88BHF	6	\$41.08

Construction: C & I Enclosures Type 12 Painted Feed-Through Wireway is fabricated in accordance with U.L. specifications from code gauge material. An oil resistant gasket is attached to the cover to prevent dust from entering the wireway. The cover is attached to the body with butt hinges on one side and external screw clamps on the other. All seams are continuously welded and ground smooth.

Finish: C & I Enclosures Type 12 Painted Feed-Through Wireway is provided with an ANSI 61 gray polyester powdercoating inside and out over paint grip galvanized steel.