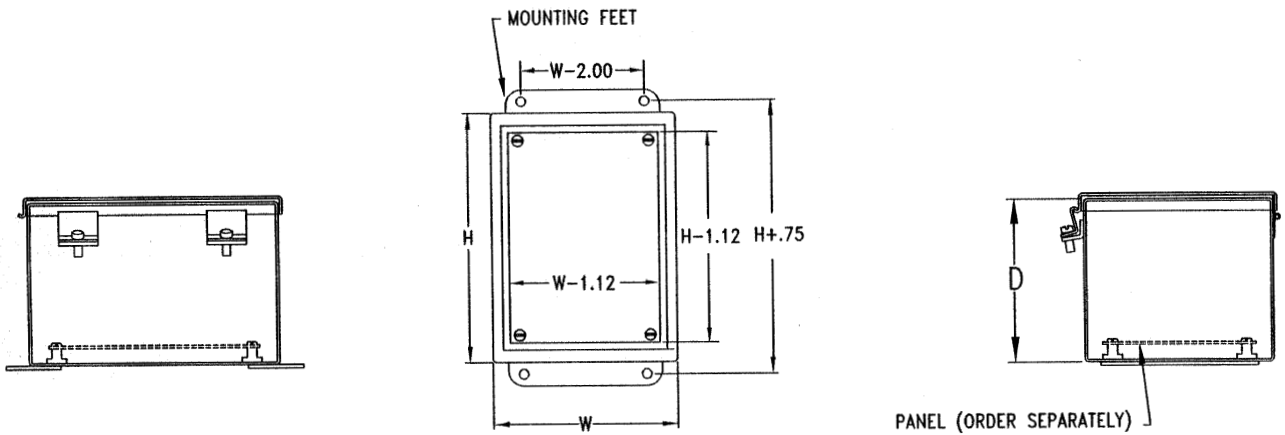
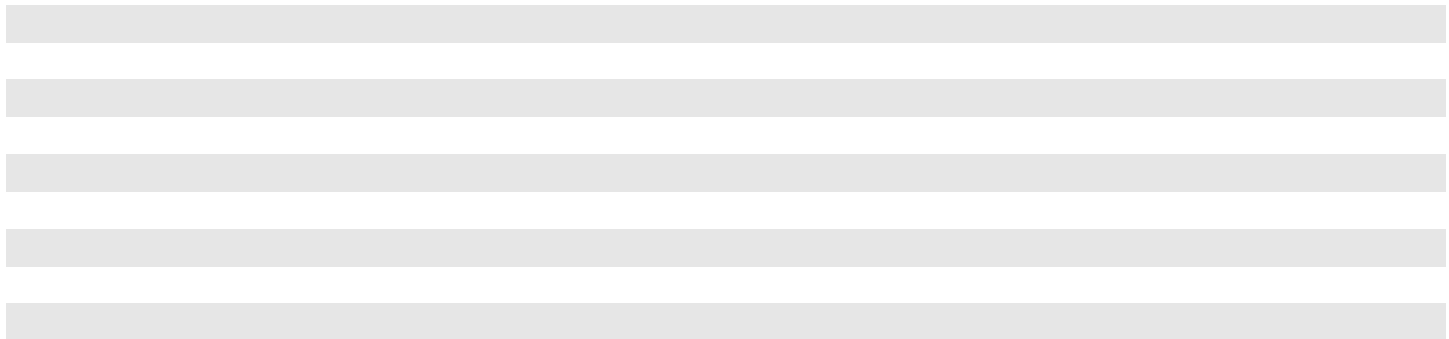


TYPE 12 PAINTED J.I.C. CONTINUOUS HINGE BOXES



Enclosure Size HxWxD	Catalog Number	Weight	List Price	Panel	List Price
4x4x4	I-444JHT12	2	\$34.86	N/A	N/A
6x4x4	I-644JHT12	3	\$39.08	CI-64JHP	\$2.98
6x6x4	I-664JHT12	4	\$43.50	CI-66JHP	\$3.56
8x6x4	I-864JHT12	6	\$50.00	CI-86JHP	\$4.02
8x8x4	I-884JHT12	7	\$51.00	CI-88JHP	\$4.72
10x8x4	I-1084JHT12	8	\$56.94	CI-108JHP	\$5.58
12x6x4	I-1264JHT12	8	\$55.50	CI-126JHP	\$5.20
10x8x6	I-1086JHT12	10	\$64.30	CI-108JHP	\$5.58
10x10x6	I-10106JHT12	11	\$70.96	CI-1010JHP	\$6.42
12x12x6	I-12126JHT12	15	\$85.50	CI-1212JHP	\$8.70
14x12x6	I-14126JHT12	17	\$95.70	CI-1412JHP	\$10.24
16x14x6	I-16146JHT12	20	\$109.50	CI-1614JHP	\$13.42
12x10x8	I-12108JHT12	15	\$88.00	CI-1210JHP	\$7.56
14x12x8	I-14128JHT12	19	\$107.10	CI-1412JHP	\$10.24
16x14x8	I-16148JHT12	23	\$125.50	CI-1614JHP	\$13.42
16x14x10	I-161410JHT12	26	\$137.98	CI-1614JHP	\$13.42



Construction: C & I Enclosures Type 12 Painted J.I.C. Continuous Hinge Boxes are fabricated in accordance with U.L. specifications, from code gauge material. An oil resistant gasket is attached to the cover to prevent dust from entering the box. The boxes are provided with a continuous hinge and external screw clamps on one side. All seams are continuously welded and ground smooth. External mounting feet are provided along with studs for mounting optional panels.

Finish: C & I Enclosures Type 12 Painted J.I.C. Continuous Hinge Boxes are provided with an ANSI 61 gray polyester powdercoating inside and out over paint grip galvanized steel.