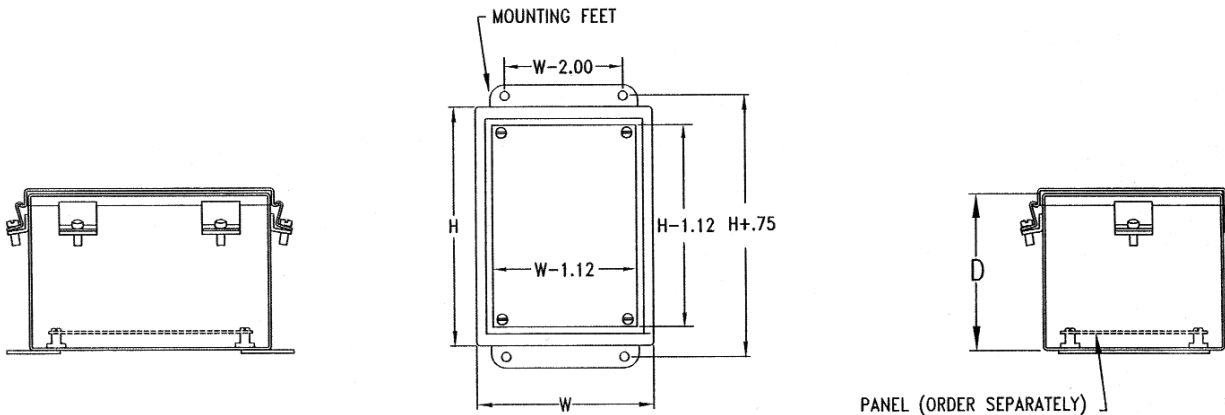


## TYPE 4X STAINLESS STEEL J.I.C. CONTINUOUS HINGE BOXES



Enclosure Size HxWxD	Catalog Number	Weight	List Price	Panel	List Price
6x6x4	I-664SJHT4X	5	\$177.14	CI-66JHP	\$3.56
8x6x4	I-864SJHT4X	6	\$195.12	CI-86JHP	\$4.02
8x8x4	I-884SJHT4X	7	\$219.70	CI-88JHP	\$4.72
10x8x4	I-1084SJHT4X	9	\$250.00	CI-108JHP	\$5.58
12x10x6	I-12106SJHT4X	15	\$302.60	CI-1210JHP	\$7.56
12x12x6	I-12126SJHT4X	16	\$337.08	CI-1212JHP	\$8.70
14x12x6	I-14126SJHT4X	17	\$410.78	CI-1412JHP	\$10.24
16x14x6	I-16146SJHT4X	20	\$470.84	CI-1614JHP	\$13.42

**Construction:** C & I Enclosures Type 4X Stainless Steel J.I.C. Continuous Hinge Boxes are fabricated in accordance with U.L. specifications from code gauge Type 304 Stainless Steel. An oil resistant gasket is attached to the cover to prevent moisture or dust from entering the box. The boxes are provided with a continuous hinge and external screw clamps on three sides. All seams are continuously welded and ground smooth. External mounting feet are provided along with studs for mounting optional panels.

**Finish:** C & I Enclosures Type 4X Stainless Steel J.I.C. Continuous Hinge Boxes are provided unpainted and have a brushed finish on the exterior.

### NOTES