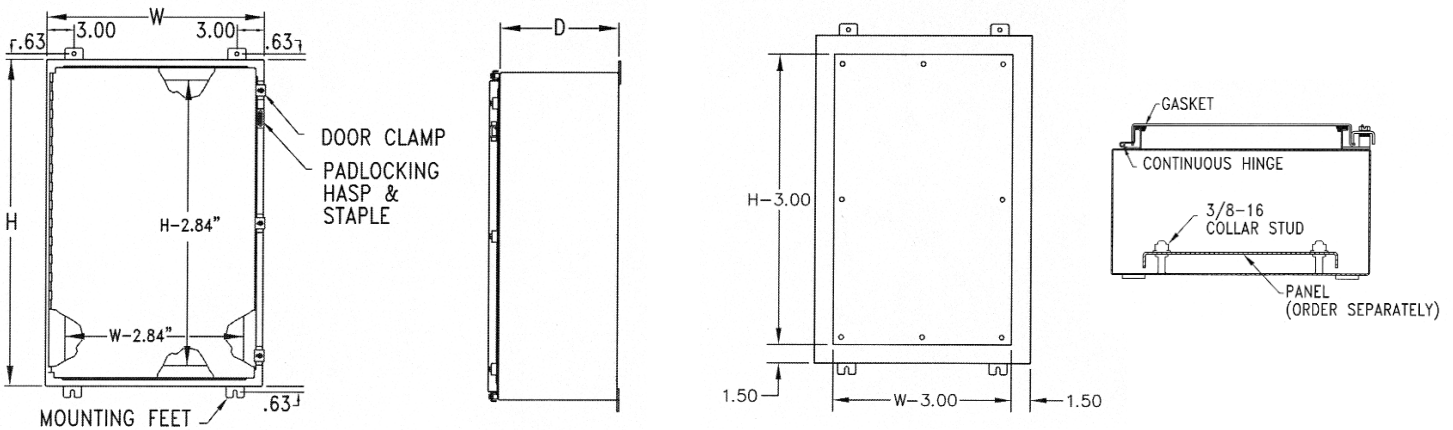


# TYPE 12 PAINTED SINGLE DOOR ENCLOSURES



Enclosure Size HxWxD	Catalog Number	Weight	List Price	Panel	List Price
16x12x6	I-16126T12	22	\$209.02	CI-1612P	\$19.50
16x16x6	I-16166T12	27	\$225.02	CI-1616P	\$24.00
20x16x6	I-20166T12	31	\$237.52	CI-2016P	\$28.50
20x20x6	I-20206T12	36	\$256.86	CI-2020P	\$34.42
24x12x6	I-24126T12	30	\$235.70	CI-2412P	\$28.72
24x16x6	I-24166T12	37	\$262.70	CI-2416P	\$33.50
24x20x6	I-24206T12	41	\$279.90	CI-2420P	\$44.96
24x24x6	I-24246T12	48	\$300.00	CI-2424P	\$50.22
30x20x6	I-30206T12	51	\$312.76	CI-3020P	\$52.64
30x24x6	I-30246T12	58	\$343.50	CI-3024P	\$63.04
36x24x6	I-36246T12	69	\$370.40	CI-3624P	\$75.98
16x12x8	I-16128T12	24	\$219.08	CI-1612P	\$19.50
20x16x8	I-20168T12	34	\$254.50	CI-2016P	\$28.50
20x20x8	I-20208T12	40	\$283.26	CI-2020P	\$34.42
24x20x8	I-24208T12	46	\$291.34	CI-2420P	\$44.96
24x24x8	I-24248T12	52	\$317.34	CI-2424P	\$50.22
30x20x8	I-30208T12	55	\$324.96	CI-3020P	\$52.64
30x24x8	I-30248T12	63	\$352.56	CI-3024P	\$63.04
30x30x8	I-30308T12	75	\$400.00	CI-3030P	\$77.50
36x24x8	I-36248T12	72	\$391.00	CI-3624P	\$75.98
36x30x8	I-36308T12	90	\$431.02	CI-3630P	\$99.16
48x36x8	I-48368T12	133	\$575.50	CI-4836P	\$152.47
60x36x8	I-60368T12	160	\$700.56	CI-6036P	\$185.88
20x16x10	I-201610T12	38	\$264.90	CI-2016P	\$28.50
24x20x10	I-242010T12	50	\$309.74	CI-2420P	\$44.96
30x24x10	I-302410T12	68	\$378.76	CI-3024P	\$63.04
36x30x10	I-363010T12	96	\$465.06	CI-3630P	\$99.16
48x30x10	I-483010T12	120	\$543.62	CI-4830P	\$127.26
48x36x10	I-483610T12	141	\$628.20	CI-4836P	\$152.47
60x36x10	I-603610T12	169	\$728.66	CI-6036P	\$185.88

## TYPE 12 PAINTED SINGLE DOOR ENCLOSURES

Enclosure Size HxWxD	Catalog Number	Weight	List Price	Panel	List Price
24x24x12	I-242412T12	61	\$355.00	CI-2424P	\$50.22
36x24x12	I-362412T12	83	\$431.08	CI-3624P	\$75.98
36x30x12	I-363012T12	102	\$480.00	CI-3630P	\$99.16
48x36x12	I-483612T12	148	\$636.62	CI-4836P	\$152.47
60X36X12	I-603612T12	208	\$740.42	CI-6036P	\$185.88
36x30x16	I-363016T12	114	\$550.42	CI-3630P	\$99.16
48x36x16	I-483616T12	164	\$699.02	CI-4836P	\$152.47
60x36x16	I-603616T12	195	\$850.42	CI-6036P	\$185.88

**Construction:** C & I Enclosures Type 12 Painted Single Door Enclosures are fabricated in accordance with U.L. specifications from code gauge material. A rolled lip is provided around three sides of the door and all sides of the enclosure opening to prevent dirt and water from falling into the enclosure when the door is opened. An oil resistant gasket is attached to the cover. The enclosures are provided with a continuous hinge and door clamps on one side. A hasp and staple are provided for padlocking. All seams are continuously welded and ground smooth. External mounting feet are provided along with studs for mounting optional panels.

**Finish:** C & I Enclosures Type 12 Painted Single Door Enclosures are provided with an ANSI 61 gray polyester powdercoating inside and out over paint grip galvanized steel.

### NOTES