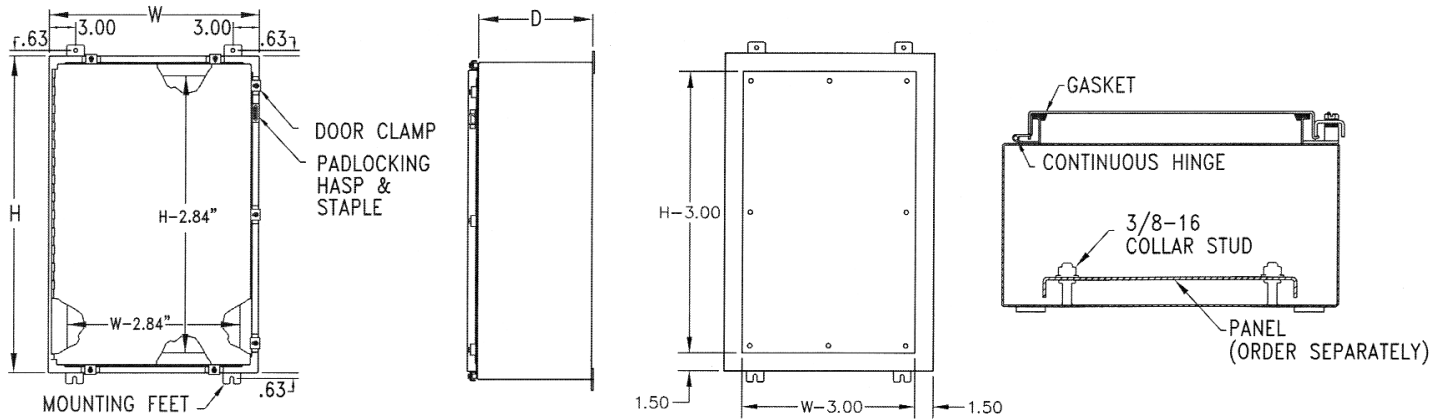


TYPE 4 PAINTED SINGLE DOOR ENCLOSURES



Enclosure Size HxWxD	Catalog Number	Weight	List Price	Panel	List Price
16x12x6	I-16126T4	23	\$265.00	CI-1612P	\$19.50
16x16x6	I-16166T4	28	\$270.56	CI-1616P	\$24.00
20x16x6	I-20166T4	32	\$300.00	CI-2016P	\$28.50
20x20x6	I-20206T4	38	\$324.70	CI-2020P	\$34.42
24x12x6	I-24126T4	31	\$297.36	CI-2412P	\$28.72
24x16x6	I-24166T4	37	\$328.70	CI-2416P	\$33.50
24x20x6	I-24206T4	43	\$357.80	CI-2420P	\$44.96
24x24x6	I-24246T4	49	\$384.74	CI-2424P	\$50.22
30x20x6	I-30206T4	53	\$389.34	CI-3020P	\$52.64
30x24x6	I-30246T4	60	\$423.70	CI-3024P	\$63.04
36x24x6	I-36246T4	69	\$465.58	CI-3624P	\$75.98
16x12x8	I-16128T4	25	\$277.08	CI-1612P	\$19.50
20x16x8	I-20168T4	35	\$314.92	CI-2016P	\$28.50
20x20x8	I-20208T4	42	\$345.78	CI-2020P	\$34.42
24x20x8	I-24208T4	47	\$361.00	CI-2420P	\$44.96
24x24x8	I-24248T4	54	\$400.00	CI-2424P	\$50.22
30x20x8	I-30208T4	57	\$413.08	CI-3020P	\$52.64
30x24x8	I-30248T4	65	\$456.54	CI-3024P	\$63.04
30x30x8	I-30308T4	78	\$502.42	CI-3030P	\$77.50
36x24x8	I-36248T4	74	\$499.74	CI-3624P	\$75.98
36x30x8	I-36308T4	92	\$538.70	CI-3630P	\$99.16
48x36x8	I-48368T4	139	\$717.94	CI-4836P	\$152.47
60x36x8	I-60368T4	167	\$862.58	CI-6036P	\$185.88
20x16x10	I-201610T4	39	\$334.32	CI-2016P	\$28.50
24x20x10	I-242010T4	52	\$378.68	CI-2420P	\$44.96
30x24x10	I-302410T4	70	\$465.70	CI-3024P	\$63.04
36x30x10	I-363010T4	98	\$582.00	CI-3630P	\$99.16
48x30x10	I-483010T4	125	\$699.74	CI-4830P	\$127.26
48x36x10	I-483610T4	147	\$751.50	CI-4836P	\$152.47
60x36x10	I-603610T4	176	\$915.18	CI-6036P	\$185.88

TYPE 4 PAINTED SINGLE DOOR ENCLOSURES

Enclosure Size HxWxD	Catalog Number	Weight	List Price	Panel	List Price
30x24x12	I-302412T4	62	\$497.14	CI-3024P	\$63.04
36x30x12	I-363012T4	104	\$620.00	CI-3630P	\$99.16
48x36x12	I-483612T4	154	\$802.50	CI-4836P	\$152.47
36x30x16	I-363016T4	136	\$698.70	CI-3630P	\$99.16
48x36x16	I-483616T4	168	\$742.00	CI-4836P	\$152.47
60x36x16	I-603616T4	233	\$870.00	CI-6036P	\$185.88

Construction: C & I Enclosures Type 4 Painted Single Door Enclosures are fabricated in accordance with U.L. specifications from code gauge material. A rolled lip is provided around three sides of the door and all sides of the enclosure opening to prevent dirt and water from falling into the enclosure when the door is opened. An oil resistant gasket is attached to the cover. The enclosures are provided with a continuous hinge and door clamps on three sides. A hasp and staple are provided for padlocking. All seams are continuously welded and ground smooth. External mounting feet are provided along with studs for mounting optional panels.

Finish: C & I Enclosures Type 4 Painted Single Door Enclosures are provided with an ANSI 61 gray polyester powdercoating inside and out over paint grip galvanized steel.

NOTES