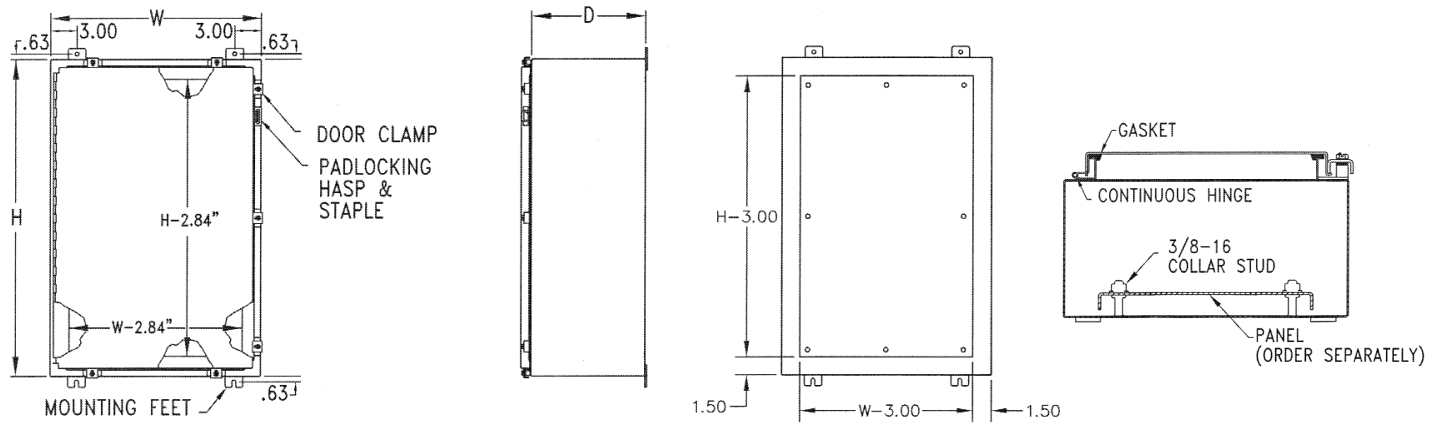


# TYPE 4X STAINLESS STEEL SINGLE DOOR ENCLOSURES

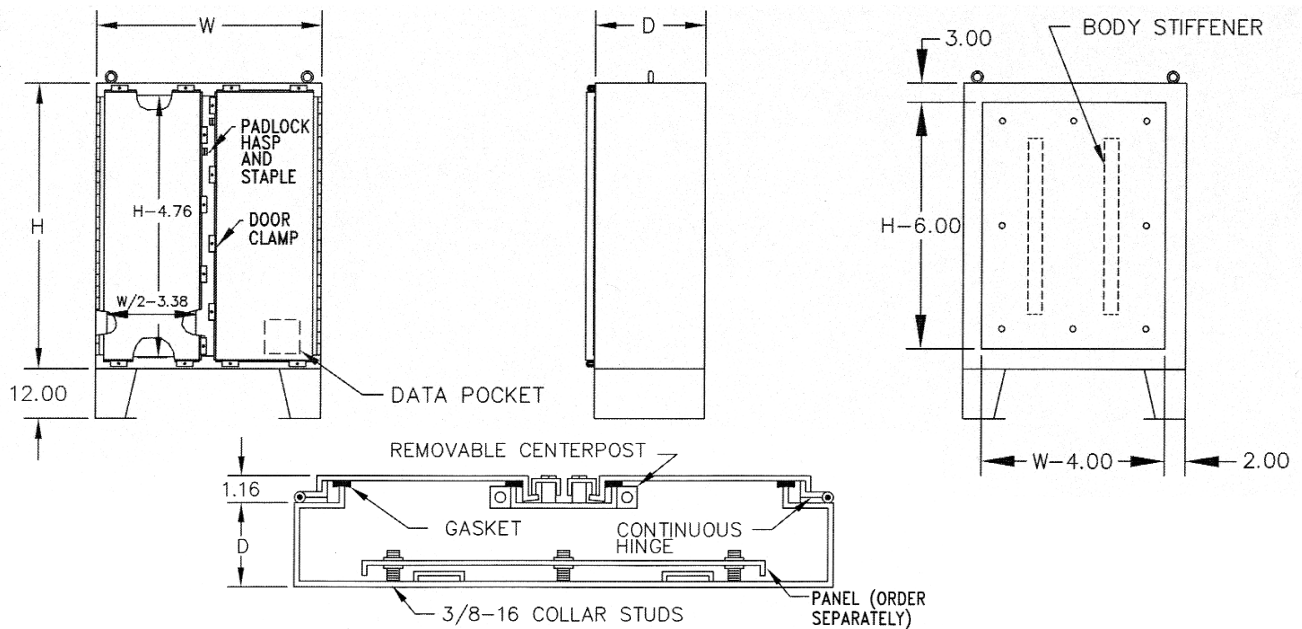


Enclosure Size HxWxD	Catalog Number	Weight	List Price	Panel	List Price
16x12x6	I-16126ST4X	16	\$588.22	CI-1612P	\$19.50
16x16x6	I-16166ST4X	20	\$609.14	CI-1616P	\$24.50
20x16x6	I-20166ST4X	23	\$673.72	CI-2016P	\$28.50
20x20x6	I-20206ST4X	28	\$779.50	CI-2020P	\$34.42
24x24x6	I-24246ST4X	38	\$859.74	CI-2424P	\$50.22
16x12x8	I-16128ST4X	25	\$626.89	CI-1612P	\$19.50
24x20x8	I-24208ST4X	44	\$923.90	CI-2420P	\$44.96
24x24x8	I-24248ST4X	42	\$976.42	CI-2424P	\$50.22
30x20x8	I-30208ST4X	43	\$1,039.44	CI-3020P	\$52.64
30x24x8	I-30248ST4X	50	\$1,134.48	CI-3024P	\$63.04
36x24x8	I-36248ST4X	58	\$1,256.70	CI-3624P	\$75.98
36x30x8	I-36308ST4X	98	\$1,457.30	CI-3630P	\$99.16
48x36x8	I-48368ST4X	146	\$2,000.00	CI-4836P	\$152.47
20x16x10	I-201610ST4X	30	\$800.64	CI-2016P	\$28.50
24x20x10	I-242010ST4X	40	\$986.00	CI-2420P	\$44.96
36x24x10	I-362410ST4X	64	\$1,359.38	CI-3624P	\$75.98
36x30x10	I-363010ST4X	106	\$1,599.00	CI-3630P	\$99.16
24x24x12	I-242412ST4X	50	\$1,137.90	CI-2424P	\$50.22
30x24x12	I-302412ST4X	59	\$1,295.36	CI-3024P	\$63.04
36x30x12	I-363012ST4X	114	\$1,670.50	CI-3630P	\$99.16
36x36x12	I-363612ST4X	114	\$1,860.57	CI-3636P	\$116.02
48x36x12	I-483612ST4X	166	\$2,271.56	CI-4836P	\$152.47
60x36x12	I-603612ST4X	200	\$2,601.00	CI-6036P	\$185.88

**Construction:** C & I Enclosures Type 4X Stainless Steel Single Door Enclosures are fabricated in accordance with U.L. specifications from code gauge Type 304 Stainless Steel. A rolled lip is provided around three sides of the door and all sides of the enclosure opening to prevent dirt and water from falling into the enclosure when the door is opened. An oil resistant gasket is attached to the cover. The enclosures are provided with a continuous hinge and door clamps on three sides to insure a water-tight seal. A hasp and staple are provided for padlocking. All seams are continuously welded and ground smooth. External mounting feet are provided along with studs for mounting optional panels.

**Finish:** C & I Enclosures Type 4X Stainless Steel Single Door Enclosures are provided unpainted and have a brushed finish on the exterior.

# TYPE 4X STAINLESS STEEL FLOOR MOUNTED DOUBLE DOOR ENCLOSURES



Enclosure Size HxWxD	Catalog Number	Weight	List Price	Panel	List Price
62x48x10	I-624810SDT4X	351	\$5,884.78	CI-6048DP	\$247.11
62x60x12	I-626012SDT4X	500	\$7,172.24	CI-6060DP	\$305.02
74x60x12	I-746012SDT4X	562	\$7,708.22	CI-7260DP	\$362.30
74x72x12	I-747212SDT4X	625	\$8,882.20	CI-7272DP	\$433.83

**Construction:** C & I Enclosures Type 4X Stainless Steel Floor Mounted Double Door Enclosures are fabricated in accordance with U.L. specifications from code gauge Type 304 Stainless Steel. A rolled lip is provided around three sides of each door and along the top of the enclosure opening to exclude liquids and contaminants. An oil resistant gasket is attached to the doors. The enclosures are provided with continuous hinges and door clamps on three sides of each door to insure a water-tight seal. A hasp and staple are provided on each door for padlocking. These enclosures have a removable centerpost for easy access to the enclosure. Each enclosure is provided with lifting eyes for easy handling. All seams are continuously welded and ground smooth. Collar studs are provided for mounting optional panels.

**Finish:** C & I Enclosures Type 4X Stainless Steel Floor Mounted Double Door Enclosures are provided unpainted and have a brushed finish on the exterior.

## NOTES