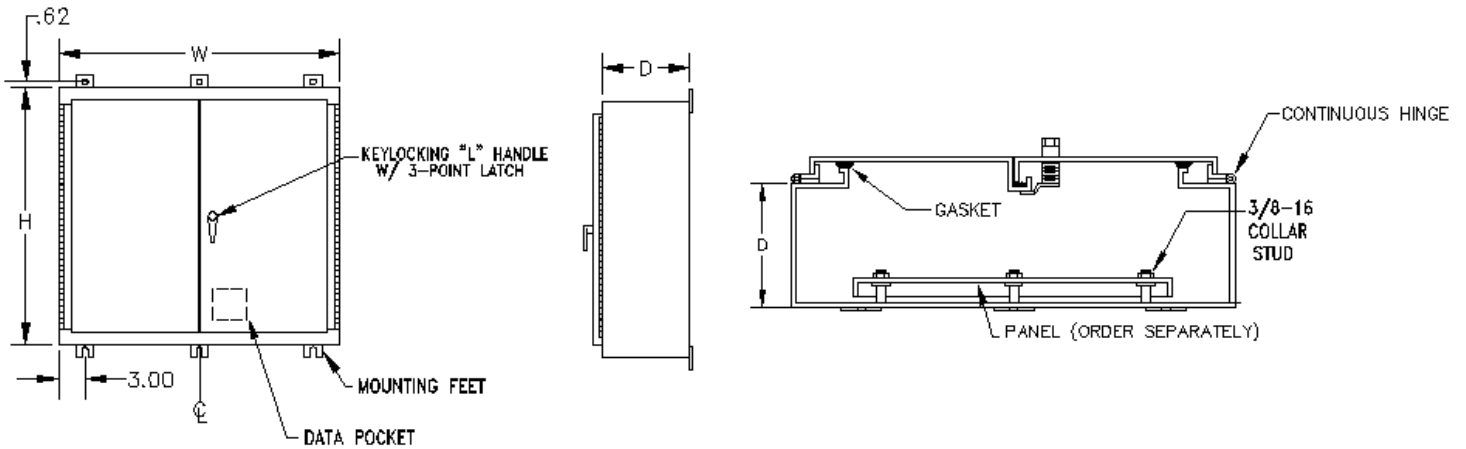


TYPE 12 PAINTED WALL MOUNTED DOUBLE DOOR ENCLOSURES



Enclosure Size HxWxD	Catalog Number	Weight	List Price	Panel	List Price
24x42x8	I-24428WDT12	68	\$550.72	CI-WD2442P	\$78.30
24x48x8	I-24488WDT12	74	\$599.74	CI-WD2448P	\$83.06
30x42x10	I-304210WDT12	103	\$651.38	CI-WD3042P	\$97.96
30x48x10	I-304810WDT12	117	\$736.90	CI-WD3048P	\$108.46
30x60x10	I-306010WDT12	142	\$843.10	CI-WD3060P	\$130.64
36x42x12	I-364212WDT12	128	\$783.68	CI-WD3642P	\$122.22
36x48x12	I-364812WDT12	165	\$854.00	CI-WD3648P	\$137.04
36x60x12	I-366012WDT12	200	\$975.54	CI-WD3660P	\$163.50
42x60x12	I-426012WDT12	229	\$1,091.30	CI-WD4260P	\$180.00
48x48x12	I-484812WDT12	201	\$904.00	CI-WD4848P	\$170.52

Construction: C & I Enclosures Type 12 Painted Wall Mounted Double Door Enclosures are fabricated in accordance with U.L. specifications from code gauge material. An oil resistant gasket is attached to the doors. The enclosures have overlapping doors which eliminates the need for a centerpost. A three point latch is provided which incorporates roller arms to hold the doors securely closed. The enclosures are provided with continuous hinges. All seams are continuously welded and ground smooth. External mounting feet are provided along with studs for mounting optional panels.

Finish: C & I Enclosures Type 12 Painted Wall Mounted Double Door Enclosures are provided with an ANSI 61 gray polyester powdercoating inside and out over paint grip galvanized steel.

NOTES