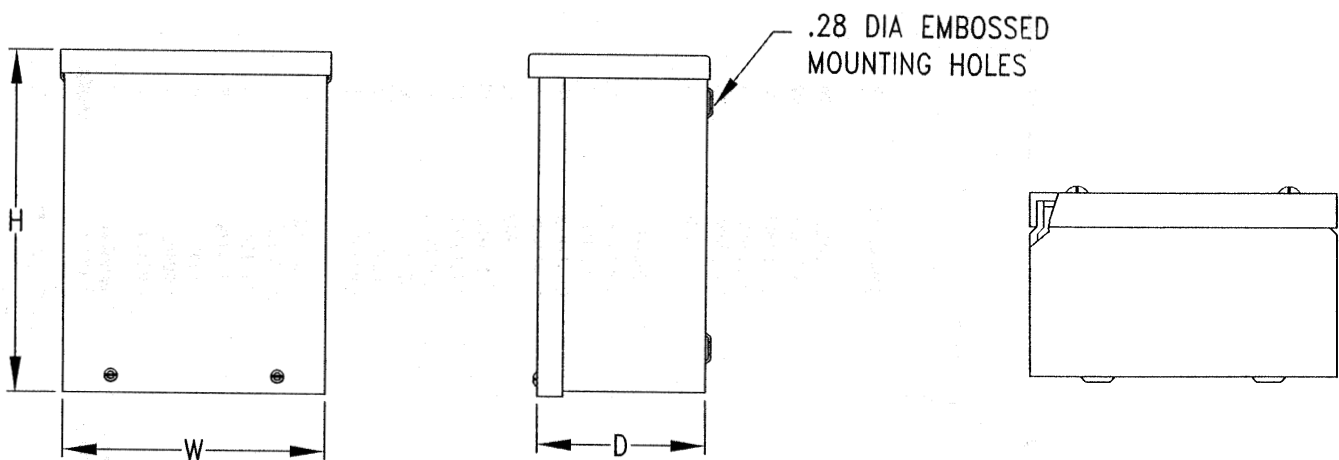


TYPE 3R RAINPROOF BOXES



Enclosure Size HxWxD	Catalog Number	Weight	List Price
6x6x4	C-664RB	4	\$14.54
8x6x4	C-864RB	4	\$16.52
8x8x4	C-884RB	5	\$19.58
10x8x4	C-1084RB	6	\$24.42
10x10x4	C-10104RB	7	\$26.02
12x8x4	C-1284RB	7	\$29.16
12x12x4	C-12124RB	10	\$31.68
6x6x6	C-666RB	4	\$19.30
8x8x6	C-886RB	6	\$24.02
10x8x6	C-1086RB	8	\$27.30
10x10x6	C-10106RB	9	\$29.98
12x10x6	C-12106RB	11	\$36.00
12x12x6	C-12126RB	12	\$37.78
15x12x6	C-15126RB	13	\$52.00
18x12x6	C-18126RB	16	\$55.04
18x15x6	C-18156RB	19	\$68.24
18x18x6	C-18186RB	21	\$81.70
24x18x6	C-24186RB	33	\$103.24
24x24x6	C-24246RB	40	\$122.64
12x12x8	C-12128RB	13	\$46.24
18x15x8	C-18158RB	20	\$90.62
18x18x8	C-18188RB	23	\$101.74
24x18x8	C-24188RB	35	\$113.80
24x24x8	C-24248RB	44	\$138.98
30x24x8	C-30248RB	56	\$182.42
24x24x10	C-242410RB	48	\$176.02

TYPE 3R RAINPROOF BOXES

Enclosure Size HxWxD	Catalog Number	Weight	List Price
18x18x12	C-181812RB	37	\$122.02
24x18x12	C-241812RB	48	\$152.00
24x24x12	C-242412RB	56	\$182.00
36x24x12	C-362412RB	72	\$277.12
36x30x12	C-363012RB	101	\$334.50
36x36x12	C-363612RB	183	\$418.24

Construction: C & I Enclosures Type 3R Rainproof Boxes are fabricated in accordance with U.L. specifications from code gauge material. A dripshield along the top protects from falling rain, snow, or sleet. A slide-on cover is attached by screws along the bottom edge of the box.

Finish: C & I Enclosures Type 3R Rainproof Boxes are available in G-90U galvanized steel, or an ANSI 61 gray polyester powdercoating inside and out over paint grip galvanized steel.

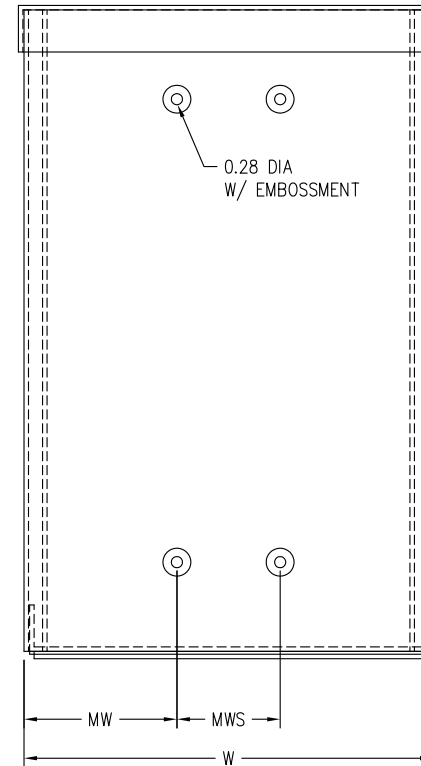
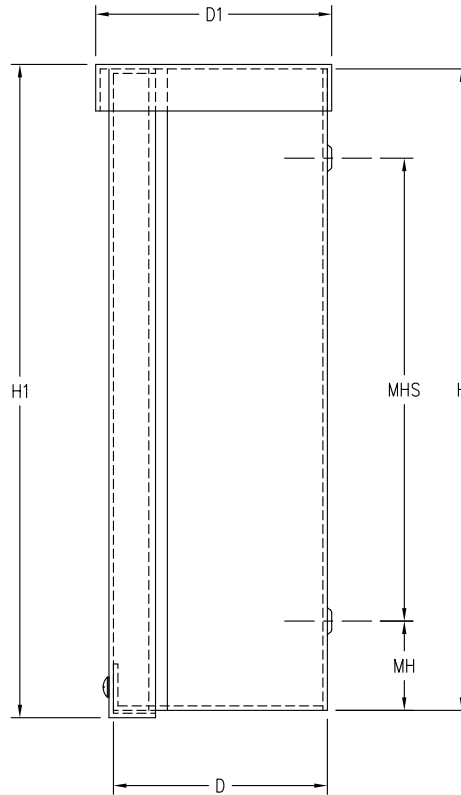
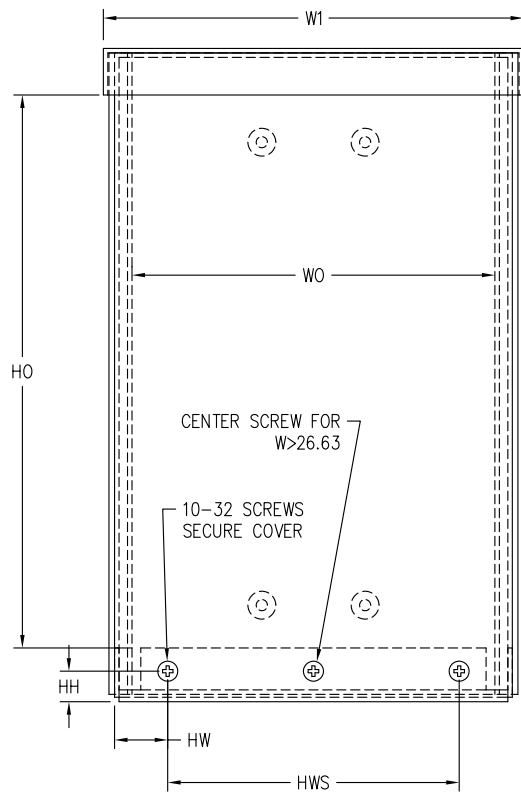
Suffix Definitions:

RB - Galvanized **R**ainproof **B**ox

RBP - Painted **R**ainproof **B**ox – Add 5%

NOTES

TYPE 3R RAINPROOF BOXES



DRAWING NOT TO SCALE
 SOME FEATURES
 EXAGGERATED FOR CLARITY



913 Industrial Park Cir.
 Bessemer, AL 35022
 PHONE: 205.424.4855
 FAX: 205.424.4858
www.cienlosures.com



TYPE 3R RAINPROOF BOXES

Part No	Box Dimensions								Mat'l Gauge	Mounting Holes				Cover		
				Opening		Overall				MH	MHS	MW	MWS	HH	HW	HWS
	H	W	D	HO	WO	H1	W1	D1								
C-664RB	6.00	6.00	4.00	4.81	5.38	6.16	6.15	4.30	16	1.20	3.60	1.88	2.25	0.42	1.25	3.38
C-864RB	8.00	6.00	4.00	6.81	5.38	8.16	6.15	4.30	16	1.20	5.60	1.88	2.25	0.42	1.25	3.38
C-884RB	8.00	8.00	4.00	6.81	7.38	8.16	8.15	4.30	16	1.20	5.60	2.88	2.25	0.42	1.25	5.38
C-1084RB	10.00	8.00	4.00	8.81	7.38	10.16	8.15	4.30	16	1.20	7.60	2.88	2.25	0.42	1.25	5.38
C-10104RB	10.00	10.00	4.00	8.81	9.38	10.16	10.15	4.30	16	1.20	7.60	3.88	2.25	0.42	1.25	7.38
C-1284RB	12.00	8.00	4.00	10.81	7.38	12.16	8.15	4.30	16	1.20	9.60	2.88	2.25	0.42	1.25	5.38
C-12124RB	12.00	12.00	4.00	10.81	11.38	12.16	12.15	4.30	16	1.20	9.60	4.88	2.25	0.42	1.25	9.38
C-666RB	6.00	6.00	6.00	4.81	5.38	6.16	6.15	6.30	16	1.20	3.60	1.88	2.25	0.42	1.25	3.38
C-886RB	8.00	8.00	6.00	6.81	7.38	8.16	8.15	6.30	16	1.20	5.60	2.88	2.25	0.42	1.25	5.38
C-1086RB	10.00	8.00	6.00	8.81	7.38	10.16	8.15	6.30	16	1.20	7.60	2.88	2.25	0.42	1.25	5.38
C-10106RB	10.00	10.00	6.00	8.81	9.38	10.16	10.15	6.30	16	1.20	7.60	3.88	2.25	0.42	1.25	7.38
C-12106RB	12.00	10.00	6.00	10.81	9.38	12.16	10.15	6.30	16	1.20	9.60	3.88	2.25	0.42	1.25	7.38
C-12126RB	12.00	12.00	6.00	10.81	11.38	12.16	12.15	6.30	16	1.20	9.60	4.88	2.25	0.42	1.25	9.38
C-15126RB	15.00	12.00	6.00	13.81	11.38	15.16	12.15	6.30	16	1.20	12.60	4.88	2.25	0.42	1.25	9.38
C-18126RB	18.00	12.00	6.00	16.81	11.38	18.16	12.15	6.30	16	1.20	15.60	4.88	2.25	0.42	1.25	9.38
C-18156RB	18.00	15.00	6.00	16.81	14.38	18.16	15.15	6.30	16	1.20	15.60	2.50	10.00	0.42	1.25	12.38
C-18186RB	18.00	18.00	6.00	16.81	17.38	18.16	18.15	6.30	16	1.20	15.60	2.50	13.00	0.42	1.25	15.38
C-24186RB	24.00	18.00	6.00	22.81	17.38	24.16	18.15	6.30	16	1.20	21.60	2.50	13.00	0.42	1.25	15.38
C-24246RB	24.00	24.00	6.00	22.83	23.35	24.19	24.18	6.35	14	1.20	21.60	5.50	13.00	0.42	1.25	21.38
C-12128RB	12.00	12.00	8.00	10.81	11.38	12.16	12.15	8.30	16	1.20	9.60	4.88	2.25	0.42	1.25	9.38
C-18158RB	18.00	15.00	8.00	16.81	14.38	18.16	15.15	8.30	16	1.20	15.60	2.50	10.00	0.42	1.25	12.38
C-18188RB	18.00	18.00	8.00	16.81	17.38	18.16	18.15	8.30	16	1.20	15.60	2.50	13.00	0.42	1.25	15.38
C-24188RB	24.00	18.00	8.00	22.81	17.38	24.16	18.15	8.30	16	1.20	21.60	2.50	13.00	0.42	1.25	15.38
C-24248RB	24.00	24.00	8.00	22.83	23.35	24.19	24.18	8.35	14	1.20	21.60	5.50	13.00	0.42	1.25	21.38
C-30248RB	30.00	24.00	8.00	28.83	23.35	30.19	24.18	8.35	14	1.20	27.60	5.50	13.00	0.42	1.25	21.38
C-242410RB	24.00	24.00	10.00	22.83	23.35	24.19	24.18	10.35	14	1.20	21.60	5.50	13.00	0.42	1.25	21.38
C-181812RB	18.00	18.00	12.00	16.81	17.38	18.16	18.15	12.30	16	1.20	15.60	2.50	13.00	0.42	1.25	15.38
C-241812RB	24.00	18.00	12.00	22.81	17.38	24.16	18.15	12.30	16	1.20	21.60	2.50	13.00	0.42	1.25	15.38
C-242412RB	24.00	24.00	12.00	22.83	23.35	24.19	24.18	12.35	14	1.20	21.60	5.50	13.00	0.42	1.25	21.38
C-362412RB	36.00	24.00	12.00	34.83	23.35	36.19	24.18	12.35	14	1.20	33.60	5.50	13.00	0.42	1.25	21.38
C-363012RB	36.00	30.00	12.00	34.83	29.35	36.19	30.18	12.35	14	1.20	33.60	1.50	27.00	0.42	1.25	27.38
C-363612RB	36.00	36.00	12.00	34.83	35.35	36.19	36.18	12.35	14	1.20	33.60	1.50	33.00	0.42	1.25	33.38