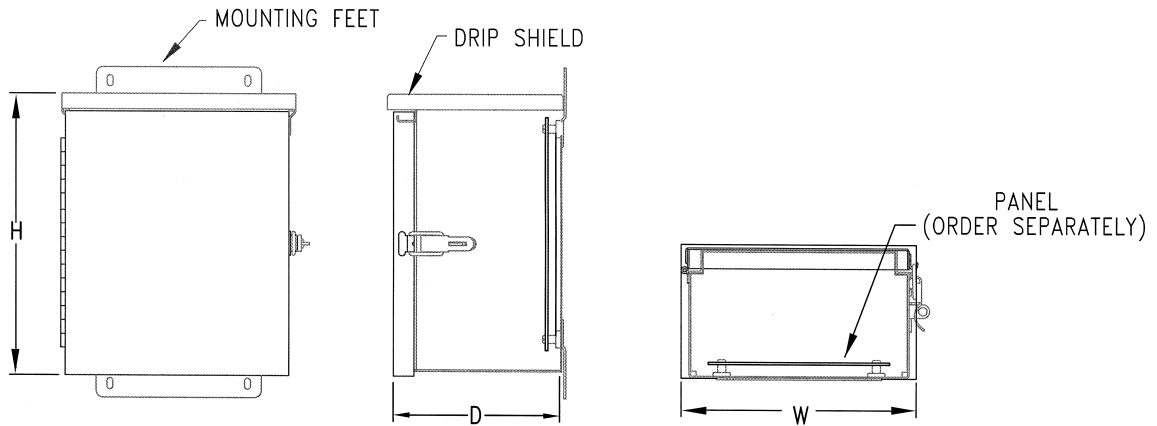


TYPE 3R SMALL RAINPROOF HINGE COVER ENCLOSURES



Enclosure Size HxWxD	Catalog Number	Weight	List Price	Steel Back Panel	List Price
10x8x6	C-1086RHS	9	\$53.16	CI-108RHSP	\$5.40
10x10x6	C-10106RHS	10	\$57.30	CI-1010RHSP	\$6.82
12x10x6	C-12106RHS	11	\$63.98	CI-1210RHSP	\$7.46
12x12x6	C-12126RHS	14	\$72.02	CI-1212RHSP	\$8.66
14x12x6	C-14126RHS	16	\$79.10	CI-1412RHSP	\$9.86

Construction: C & I Enclosures Small Type 3R Rainproof Hinge Cover Enclosures are fabricated in accordance with U.L. specifications from code gauge material. The enclosures are provided with a continuous hinge and a padlocking trunk latch. A dripshield along the top protects from falling rain, snow, or sleet. External mounting feet are provided along with studs for mounting optional panels.

Finish: C & I Enclosures Small Type 3R Rainproof Hinge Cover Enclosures are provided with an ANSI 61 gray polyester powdercoating inside and out over paint grip galvanized steel.

NOTES