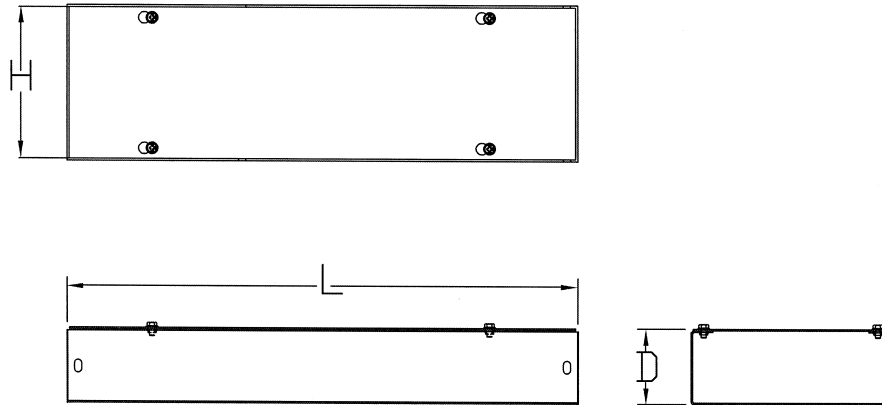


# TYPE 1 SCREW COVER X RAY DUCT

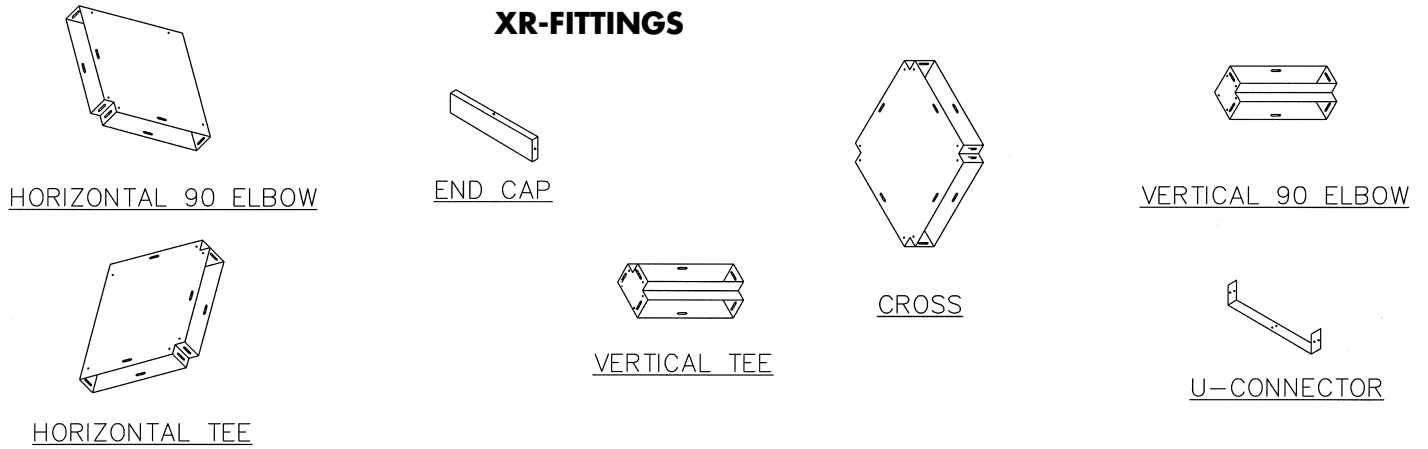


Enclosure Size HxDxL	Catalog Number	Weight	List Price
10x3.5x12	1-10XR	7	\$57.74
10x3.5x24	2-10XR	15	\$73.72
10x3.5x36	3-10XR	22	\$110.42
10x3.5x48	4-10XR	30	\$149.16
10x3.5x60	5-10XR	37	\$182.32
10x3.5x72	6-10XR	45	\$221.30
10x3.5x84	7-10XR	52	\$257.74
10x3.5x96	8-10XR	60	\$291.30
10x3.5x119	10-10XR	73	\$355.94
18x3.5x12	1-18XR	12	\$77.00
18x3.5x24	2-18XR	23	\$128.24
18x3.5x36	3-18XR	35	\$150.48
18x3.5x48	4-18XR	47	\$200.22
18x3.5x60	5-18XR	58	\$231.96
18x3.5x72	6-18XR	70	\$308.00
18x3.5x84	7-18XR	81	\$359.70
18x3.5x96	8-18XR	93	\$400.24
18x3.5x119	10-18XR	117	\$451.96

## NOTES

# TYPE 1 SCREW COVER XRAY DUCT

## XR-FITTINGS



Fitting Description 10" High	Catalog Number	Weight	List Price
60" Divider	10-XRD	5	\$27.12
Horizontal 90 Elbow	10-XHL	8	\$105.76
Vertical 90 Elbow	10-XVL	7	\$87.34
Horizontal Tee	10-XHT	7	\$112.82
Vertical Tee	10-XVT	7	\$100.00
Cross	10-XC	8	\$122.96
End Cap	10-XEC	1	\$12.52
U Connector	10-XUC	1	\$10.00
Panel Adapter	10-XPA	2	\$36.86

Fitting Description 18" High	Catalog Number	Weight	List Price
60" Divider	18-XRD	5	\$27.12
Horizontal 90 Elbow	18-XHL	23	\$175.16
Vertical 90 Elbow	18-XVL	11	\$159.74
Horizontal Tee	18-XHT	23	\$189.50
Vertical Tee	18-XVT	23	\$183.04
Cross	18-XC	24	\$230.00
End Cap	18-XEC	2	\$20.20
U Connector	18-XUC	2	\$19.00
Panel Adapter	18-XPA	2	\$48.78

**Construction:** C & I Enclosures Type 1 Painted Screw Cover X-Ray Duct is fabricated in accordance with UL specifications from code gauge steel.

**Finish:** C & I Type 1 X-Ray Duct is provided with an ANSI 61 gray polyester powdercoating inside and out.